

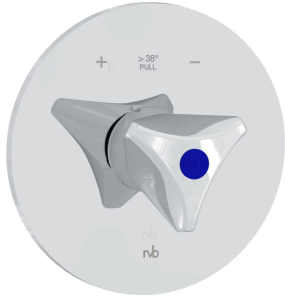
PRODUCT TECHNICAL SHEET

Collection :	TRIO	Ref. :	4011.11.74
--------------	------	--------	------------

Thermostatique à encastrer
Inbouw thermostaat
Concealed thermostat

Picture

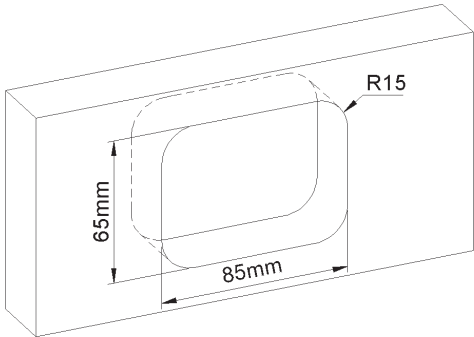
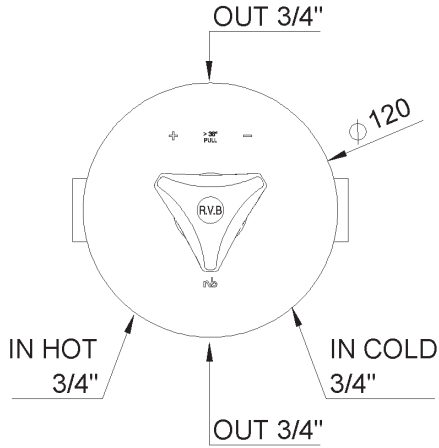
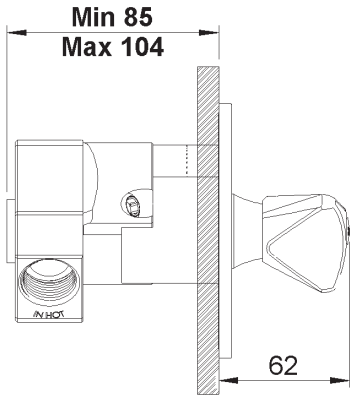
Product details



Flow at 3 bar : 32 l/min

T° mechanism : Thermostatic wax cartridge

Technical drawing



RA1.V01